

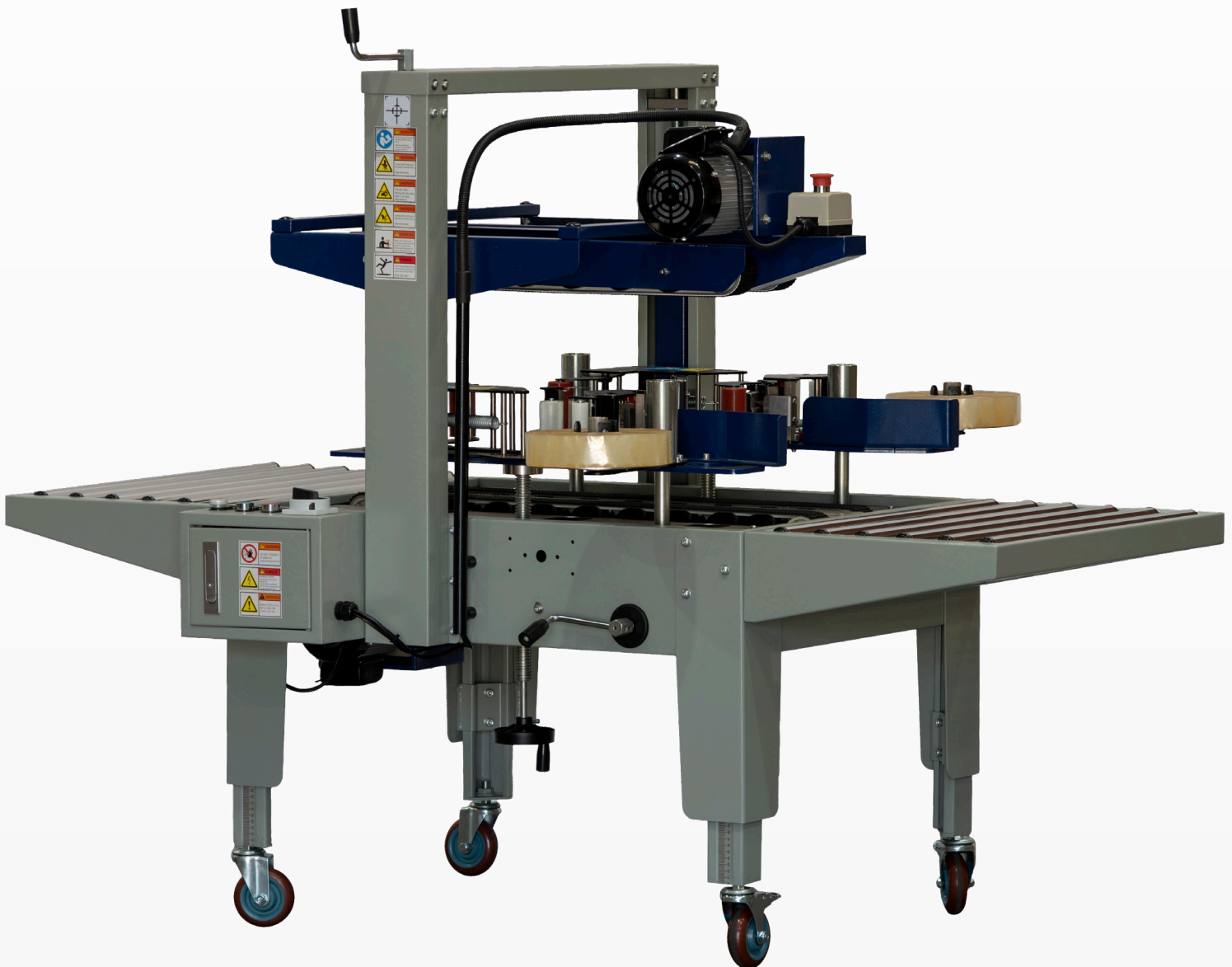
Pacmasta PMCS-110

High quality side taping carton sealing machine

Carton Sealing Machine



Pacmasta[®]



Easy Operation

Push box & release



Robust Machine Design

Long working, trouble-free life



Double Motor (Top & bottom belts)

Can push heavy boxes



Freely Movable on Caster Wheels

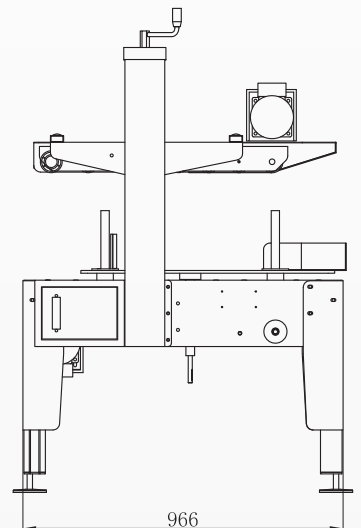
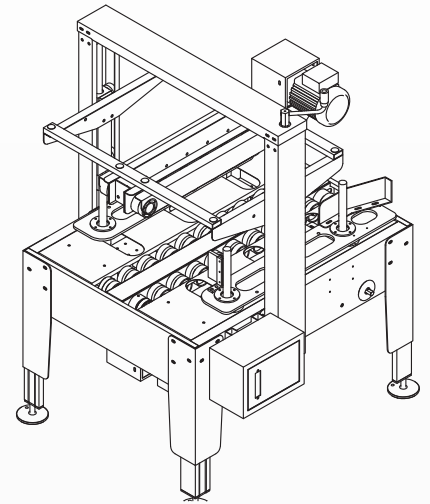
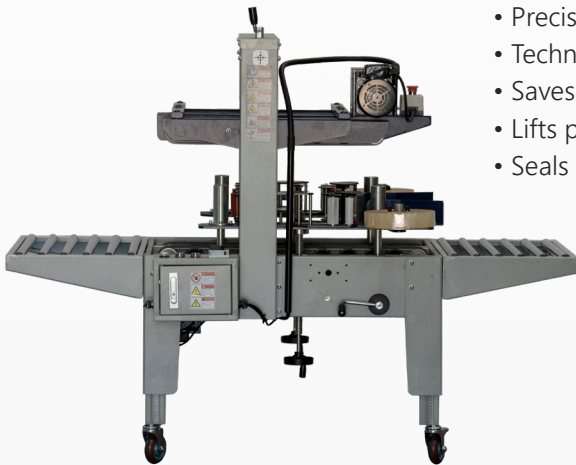
Wherever your packing work is done

The Best Quality Carton Sealing Machine

We have designed the Pacmasta Carton Sealing Machine for closing uniform cartons with the same height and width. Moreover, it is an excellent choice for any low to high volume box closing needs of the industry. Our PMCS-110 Carton Sealing Machine can tape both sides of the carton simultaneously at a fast speed. The box to be sealed is driven by the top and bottom belts through the machine, while rolling dispensers apply the pressure sensitive tape. After the sealed box is discharged, the machine is immediately ready for the next box.

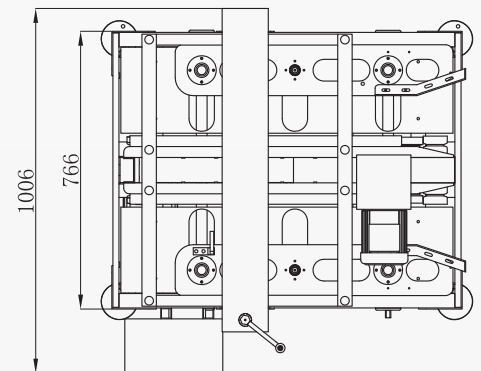
Pacmasta PMCS-110 Features

- Fast side taping of all types/sizes of cartons/boxes (Height adjustable)
 - Easy operation, just push box & release.
 - Double motor (top and bottom belts), can push the heaviest of boxes
 - Heavy-duty body with powder coated finish
 - Robust machine design & long-working, trouble-free life.
 - Freely movable on caster wheels, wherever your packing work is done
 - Interchangeable top and bottom dispenser
 - Tape overlap length can be adjusted
 - Blade guards, safe to work
- Precise operation
 - Technically advanced
 - Saves time
 - Lifts productivity
 - Seals cartons neatly & efficiently



Technical Specifications

Drive Type	Top/Bottom Drive
Power Supply	220V/50Hz, 400W
Carton Size	L (130mm-no limit) W(190-410mm) H(120-480mm)
Tape Size	48-72mm machine roll
Sealing Speed	20 metres/min
Worktable Height	550-750mm
Dimensions	L 960mm x W 1090mm x H 1280mm
Gross Weight	185 kg



Contact Us